



Sirman Spa
 Viale dell'Industria 9/11
 35010 PIEVE DI CURTAROLO (PD), Italy
 Tel./Fax. +39 049 9698666 / +39 049 9698688
 email: info@sirman.com



Sirman Slicers , model Topaz 195 :

- Anodized cast aluminium alloy.
- Lat base for easy cleaning.
- Strong and silent-running asynchronous motor.
- Reliable poliV belt drive.
- Forged, hardened large thickness blades.
- Carriage running on self-lubricating bushes.
- Without built-in sharpener.
- Teflon coated or toothed blades available
- 25° blade inclination.



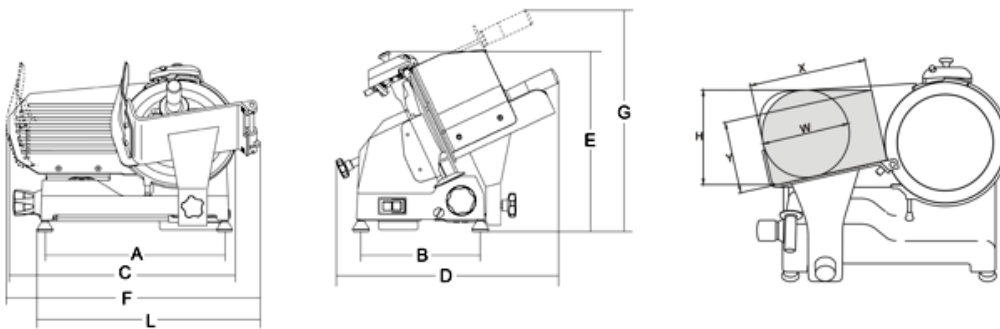
Without built-in sharpener



Underside motor protection plate



Data sheet



Technical data

Model	TOPAZ 195
Blade	mm 195 - inch. 8"
Motor	Watt 110 - Hp 0,15
Cut thickness	mm 13
Run of carriage	mm 162
Hopper	mm 185x165
A	mm 310
B	mm 220
C	mm 375
D	mm 355
E	mm 300
F	mm 385
G	mm 360
L	mm 370
X	mm 140
Y	mm 110
H	mm 135
W	mm 120
Net weight	Kg 10,5
Shipping	mm 430x400x370

Gross weight	Kg 12
HS-CODE	84385000